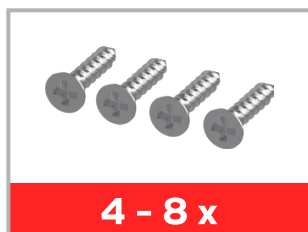
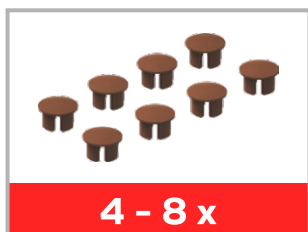


[www.solemlux.lt/en/](http://www.solemlux.lt/en/)

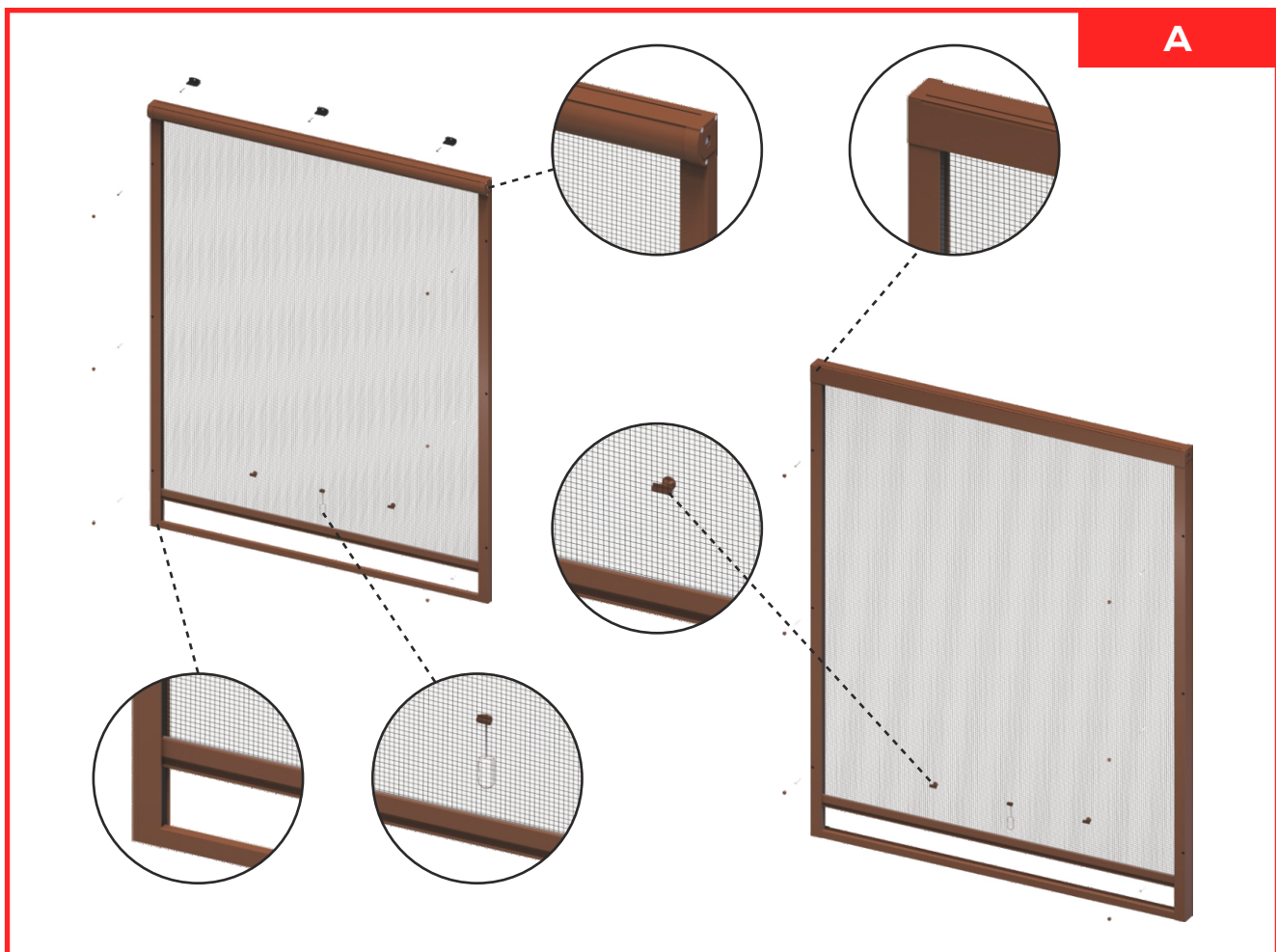
## Hook-type roller insect screen for windows

## Hook-type roller insect screen for windows (with extension)

### Supplied in the set:



### Necessary tools:



[www.solemlux.it/en/](http://www.solemlux.it/en/)

## Hook-type roller insect screen for windows

## Hook-type roller insect screen for windows (with extension)

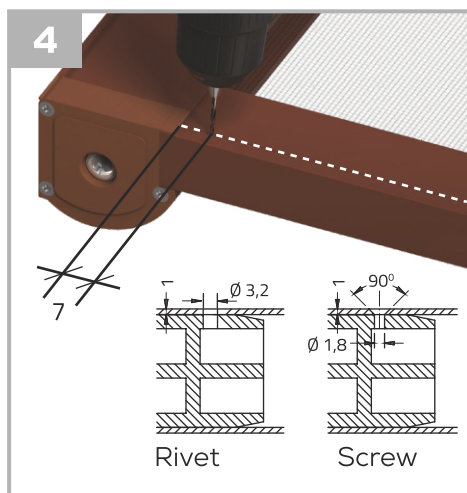
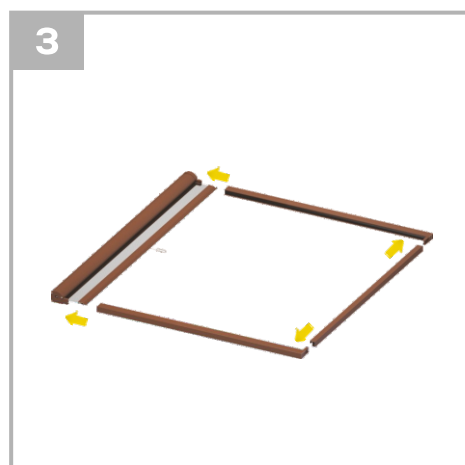
### MOUNTING:



1 Mounting in a recess

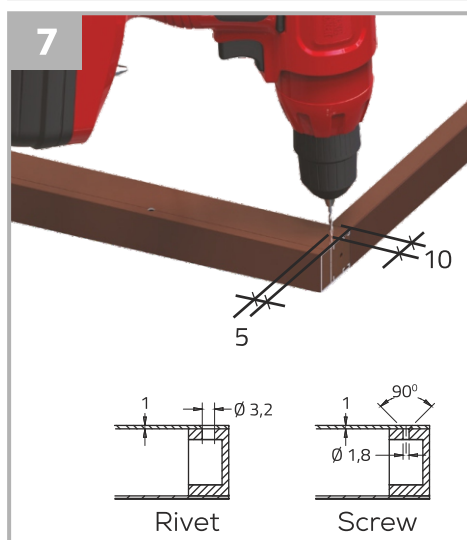
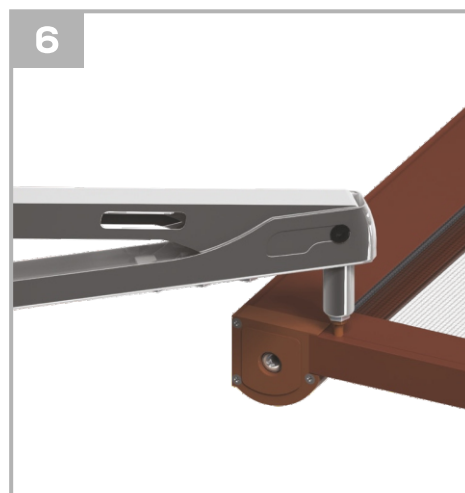
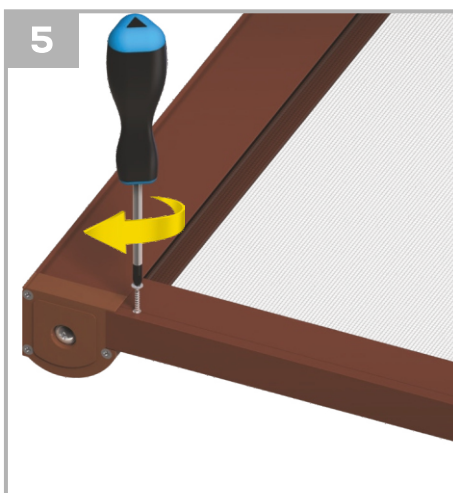


2 Wall mounting



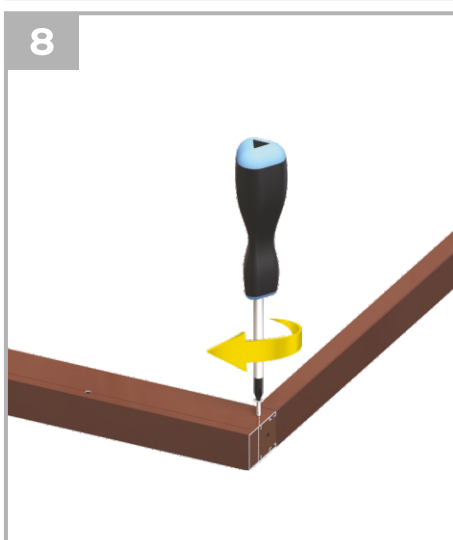
Rivet

Screw



Rivet

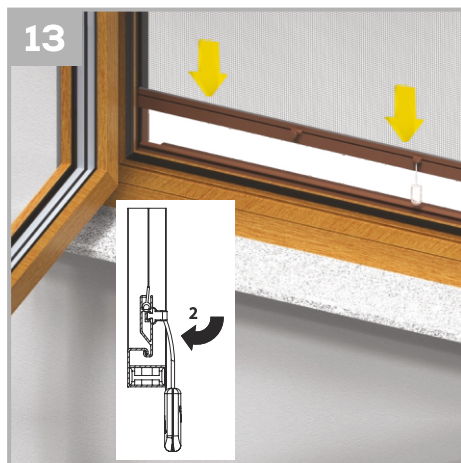
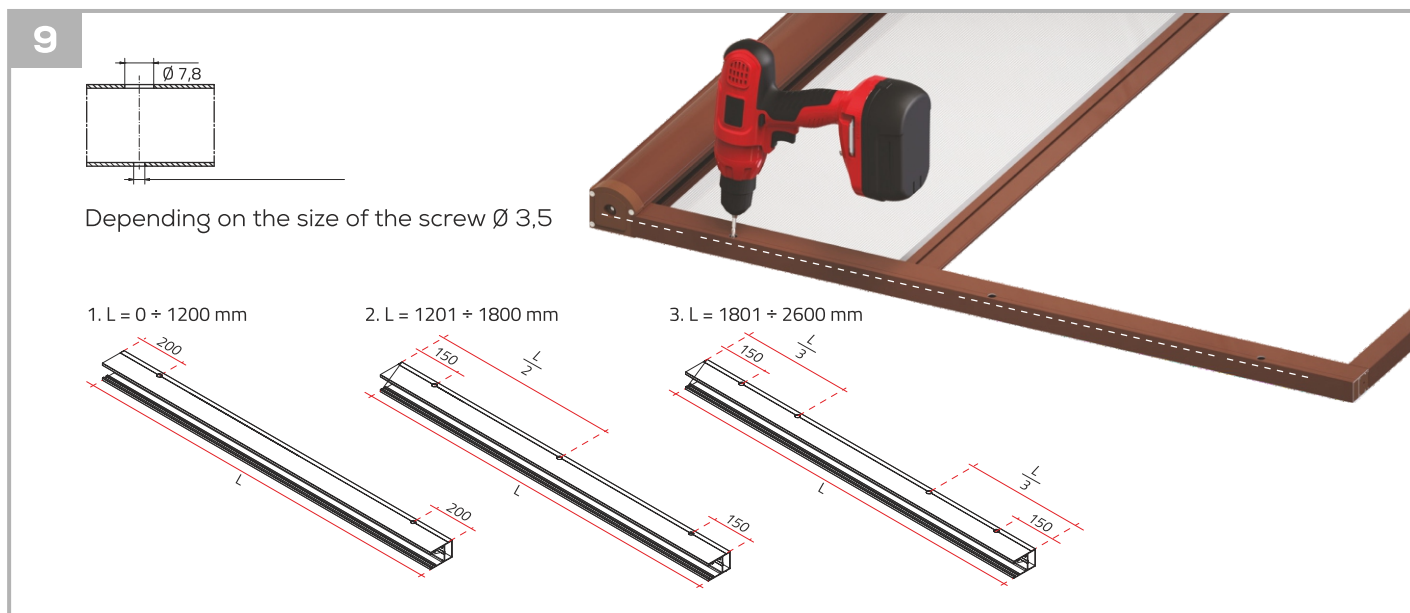
Screw



## Hook-type roller insect screen for windows

## Hook-type roller insect screen for windows (with extension)

### MOUNTING:



## Hook-type roller insect screen for windows

## Hook-type roller insect screen for windows (with extension)

### Roller insect screen for doors user manual

#### Mounting and measurement

- Mounting and measurement must be carried out by trained personnel only.
- The manufacturer is not liable for damage caused by incorrect mounting and/or measurement.

#### Operation

- The screen is opened using bar/mullion with fitted handle.
- The screen can be operated only when there are no obstacles within its operational range.
- Should your insect screen malfunction, please report the fact to the seller.

#### Care and maintenance

- The screen should be cleaned at least once a month.
- The screen should be retracted into protective storage housing when not in use, when exposed to excessive dust or during renovation works.

#### The manufacturer is not liable for:

- Improper mesh tension caused by incorrect operation.
- Damages resulting from mounting the screen in a manner inconsistent with its intended use (eg. in interiors continually exposed to high humidity, or next to sources of heat which may deform the mesh).
- The screen's loss of aesthetic appeal due to soiling, use of inappropriate chemical agents etc.
- Damages resulting from unauthorised alterations and/or repairs carried out by clients.
- Scratches on the painted surface and damaged mesh resulting from improper unpacking of the screen.
- Mechanical and other damage caused by:
  - improper use of the screen
  - its incorrect storage and overloading
  - not following user manual mounting instructions
  - random events eg. flooding, interaction with animals, impact of strong wind, frost and snow.Screens should be retracted into protective storage housing for protection.

